

Forenta

Morristown, TN U.S.A.

Puff Irons

Models 33PS, 25PS, 7PS

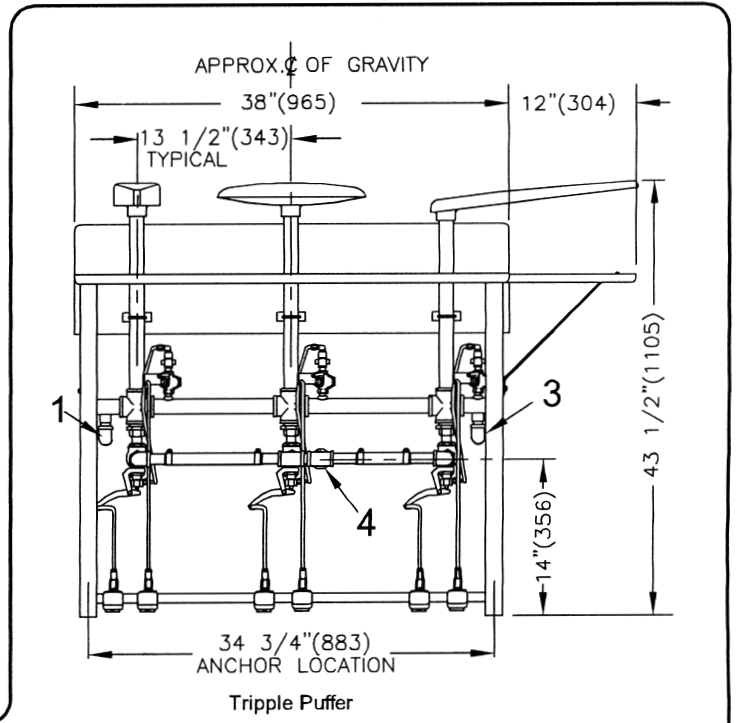
- Absolutely No Steam Leaks
- Choice of Buck Sizes at No Additional Charge
- Optional Vacuum and Fabric Heads
- Dual Pedals Available on All Puff Irons
- New, Improved Vacuum Valve
- Improved Pedal Design



Specifications

Model Puff Irons

| Steam and Vacuum connection | | Puff Irons | |
|---|------------------------------------|------------|------------------|
| Steam Inlet | NPT | | 1/2" |
| Steam Outlet | NPT | | 1/2" |
| Rec. steam pressure | PSIG kPa | | 75-85 517-586 |
| Steam consumption @ 80psig(552 kPa) | BHP kg/hr | | 0.25 3.9 |
| Air Vacuum Connection | NPT | | 1 1/4" |
| Weight (crated) | | | |
| Shipping | Single Puffer | lbs kg | 70 32 |
| | Double Puffer | lbs kg | 112 51 |
| | Tripple Puffer | lbs kg | 206 93 |
| Weights include all features. Weights may be reduced slightly if some features are omitted. | | | |
| 1 Steam connection | 4 Air Vacuum Connection (optional) | | |
| 2 Double Pedal (optional) | 5 Fabric Head (optional) | | |
| 3 Steam Outlet connection | | | |



Detail Line Drawing (millimeters shown in parentheses)

